

NELSON™ HEAT TRACING SYSTEMS

Z1-ALT-E-M25/-75NPT END SEAL KIT

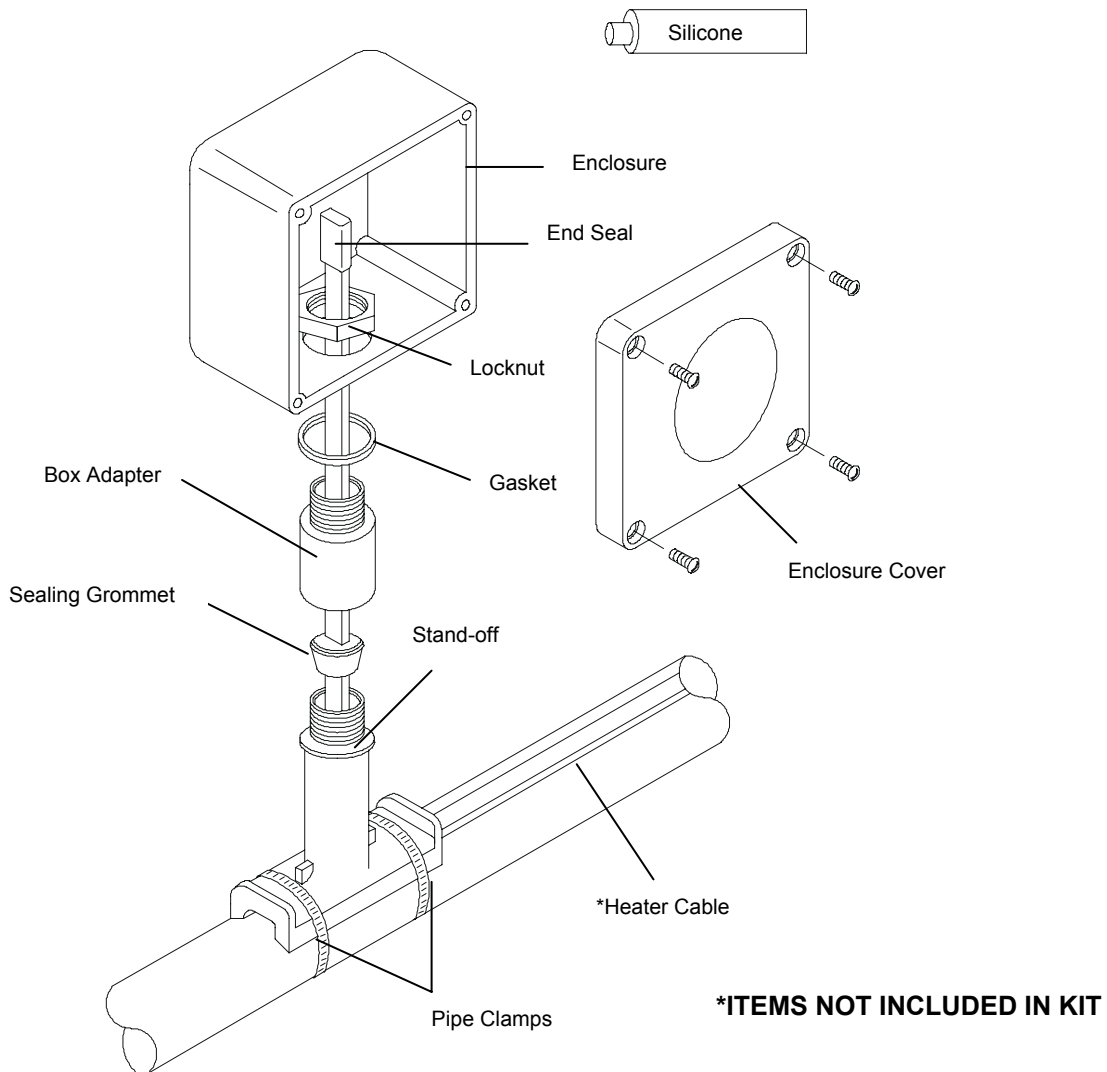
INSTALLATION INSTRUCTIONS

DESCRIPTION

The Z1-ALT-E End Termination Kit is designed for terminating one heater cable in an enclosure mounted above the thermal insulation. This kit is designed for use with all wattages of Nelson Heat Tracing Systems' LT-J, LT-JT & HLT-J heater cables. The Z1-ALT-E-M25 provides compatibility to M25 metric thread standard and the Z1-ALT-E-75NPT provides compatibility to 0.75" NPT thread standard.

KIT CONTENTS

- | | |
|---------------|--------------------|
| 1 Enclosure | 1 Sealing Grommet |
| 1 Stand-off | 1 End Seal |
| 1 Box Adapter | 1 Tube of Silicone |
| 1 Locknut | 2 Pipe Clamps |
| 1 Gasket | |



⚠ WARNING:

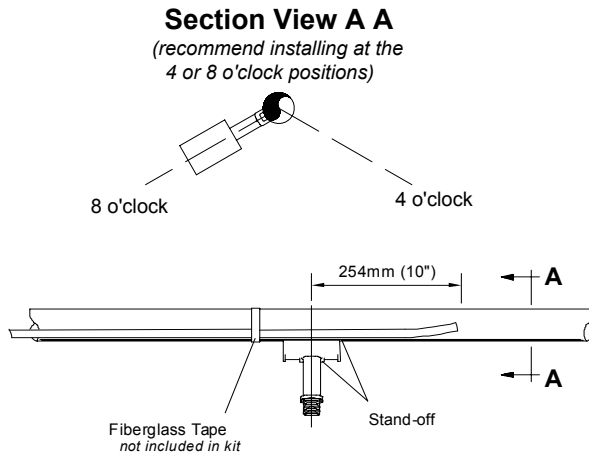
If nuisance tripping of ground fault breakers occurs due to condensation in the enclosure, electrical connections should be moisture proofed by use of a coating or sealant.

NELSON™ HEAT TRACING SYSTEMS

Z1-ALT-E-M25/-75NPT END SEAL KIT

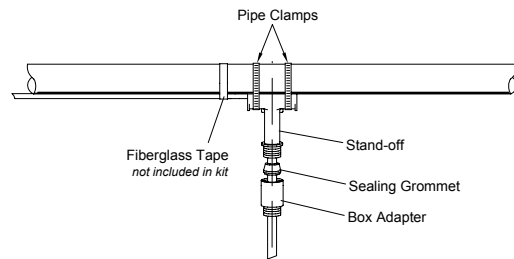
INSTALLATION INSTRUCTIONS

STAND-OFF POSITIONING



WARNING:

Do not place pipe clamps
over heater cable.



- 1) Mark pipe where stand-off will be mounted. See diagram above.
- 2) Push heater cable through the bottom opening of stand-off.
- 3) Place stand-off on the pipe and fasten with pipe clamps.
- 4) Slide the sealing grommet over the heater cable and position inside stand-off opening.
- 5) Apply silicone around the heater cable on top of the sealing grommet and fill any voids in sealing grommet.
- 6) Slide the box adapter over the heater cable and tighten securely to stand-off.
- 7) Prepare heater cable for termination. Proceed to sheet 3.

NELSON™ HEAT TRACING SYSTEMS

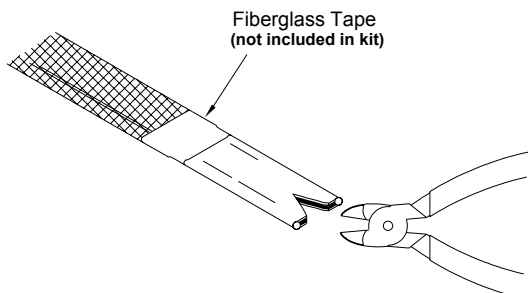
Z1-ALT-E-M25/-75NPT END SEAL KIT

INSTALLATION INSTRUCTIONS

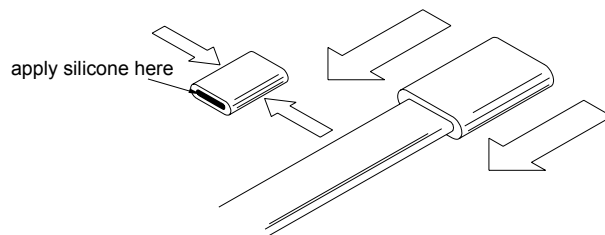
END SEAL INSTALLATION FOR NELSON LT-J, LT-JT & HLT-J PRODUCTS

WARNING:

Only end seals specifically approved for the vendor's style and type of heater cable must be used.



- 1) Remove 13mm (0.5") of overjacket exposing the braid, then remove the 13mm (0.5") of exposed braid.
- 2) Make a 10mm (0.4") cut at the end of the heater cable.



- 3) Squeeze the end seal and fill with silicone.
- 4) Push end seal over the heater cable. The end seal should overlap the cable overjacket.
- 5) The silicone will set up in about 30 minutes with a complete cure after 24 hours.

WARNING:

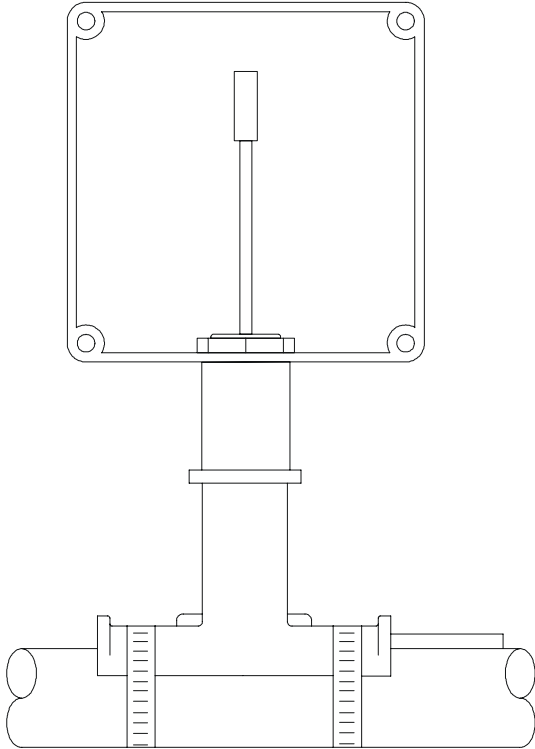
- Do not megger or hi-pot until silicone is completely cured.
- Braid must be kept away from bus wires or shorting will occur.

NELSON™ HEAT TRACING SYSTEMS

Z1-ALT-E-M25/-75NPT END SEAL KIT

INSTALLATION INSTRUCTIONS

TERMINATION



- 1) Place gasket on box adapter.
- 2) Position enclosure on box adapter and apply silicone around the locknut before securing.
- 3) Push heating cable termination inside the enclosure.
- 4) Place the cover onto the enclosure and tighten screws.

Nelson Heat Tracing Systems products are supplied with a limited warranty. Complete Terms and Conditions may be found on Nelson's website at www.nelsonheaters.com.
